

SPECIFICATIONS

PRESSURE SWITCH FOR WATER PURIFIER ANW1108E



Pressure Switch For Water Purifier ANW1108E

Benefits/features

- Dedicated to water purifiers, replacing traditional high and low voltage switches for water purifiers
- More sensitive response and wider applicability

Basic information

Pressure set range (gauge pressure)	From 0.02 MPa to 1.0 MPa; below 0.6 MPa is considered low pressure, while 0.6 MPa and above is considered high pressure
Burst pressure	3.2MPax1min, no damage or leakage
Mechanical lifespan (switching cycles)	100,000
Electrical lifespan (switching cycles)	30,000
IP grade	IP67

*RoHS-compliant products are assigned separate material numbers. Please ensure careful selection when placing an order.

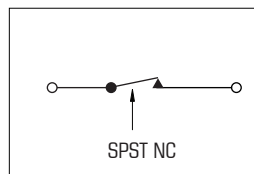
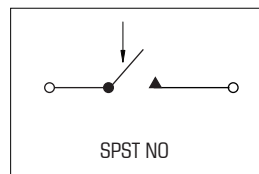
Electrical overview

Switching load	24...250VAC /0.02...6A;8...36VDC/0.02...3A Under the condition of ensuring electrical lifespan without pressure difference switch, the maximum current is 0.5A
----------------	---

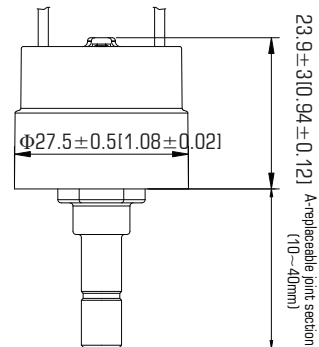
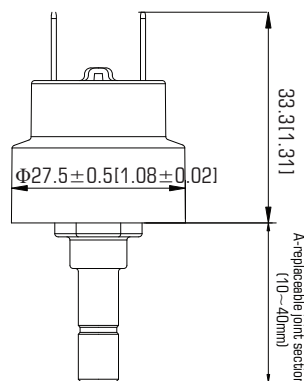
Operating conditions

Medium	Air, water
Temperature	Ambient: -40...+65°C[-40...+149°F](Low pressure); -40...+80°C[-40...+176°F](High pressure) Medium: -40...+80°C[-40...+176°F](Low pressure); -40...+100°C[-40...+212°F](High pressure)

Contact version



Dimensions in mm [in]



ORDER CODE SELECTION TABLE

PRESSURE SWITCH FOR WATER PURIFIER ANW1108E

Pressure Switch For Water Purifier ANW1108E

Name	Electrical Connections	Process Connection	Interface Material	Contact Version
ANW1108E	1	0	1	C
	↓	↓	↓	↓
	1=Outgoing model 2=Insert style	0=Other (Insert rod)	1=Iron galvanized	C=SPST-NC O=SPST-NO

Note: The above rules are applicable for non-RoHS material selection. For RoHS compliant products, simply add the model number with (R) designation.

ANW1108E Pressure Switch For Water Purifier	Action Pressure	Tolerance	Proof Pressure
	$0.02 \leq < 0.6 \text{MPa}$	$\pm 0.03 \text{MPa}$	1.5MPa
	$0.6 \leq < 1.0 \text{MPa}$	$\pm 0.05 \text{MPa}$	2.0MPa

1bar=100kPa=0.1MPa=14.5psi