

SPECIFICATIONS

TEMPERATURE TRANSMITTER ANW2610W SERIES



Temperature Transmitter ANW2610W Series

Benefits/features

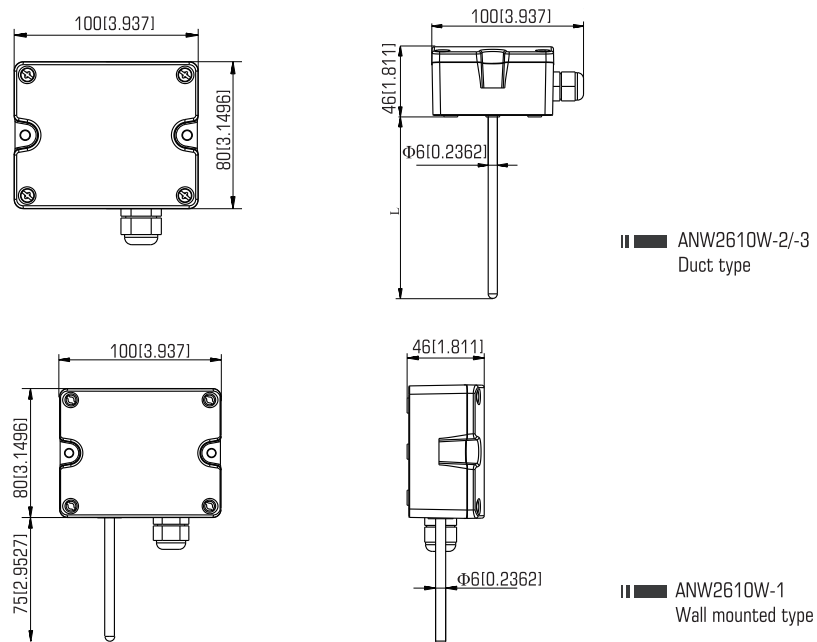
- Up to 5 mounting and output options available
- New industrial look quick-fit design for fast installation and deployment
- Imported Heraeus Class A sensors, high accuracy, fast response, low temperature drift
- Excellent anti-interference ability and protection function, IP65

Basic parameters

Sensor	High precision thermal resistor, see selection table (resistance output type)/PT1000,A(analog output type)
Output	Resistance value, see selection table and thermal resistance index table/4...20mA or 0...10VDC, 0...5VDC
Thermal resistance	Output: RS485/Modbus, 0...10VDC, 4...20mA optional
Accuracy	Typical 0.2...0.5°C @0/25°C as the selection table/ ±0.3°C @25°C, as the accuracy graph
Power supply	Voltage type/485 type 15...35VDC/24VAC ±20% Current type 18.5...35VDC (RL=500Ω)/8.5...35VDC (RL=0Ω)
Output load	(Analog output type): ≤500 Ω (current type), ≥2KΩ (0...5V), ≥3KΩ (0...10V)
Housing material	PC casing, stainless steel probe (Φ6mm) and casing
Work environment	-40...70°C, 0...95%RH (non condensing)
IP grade	IP65

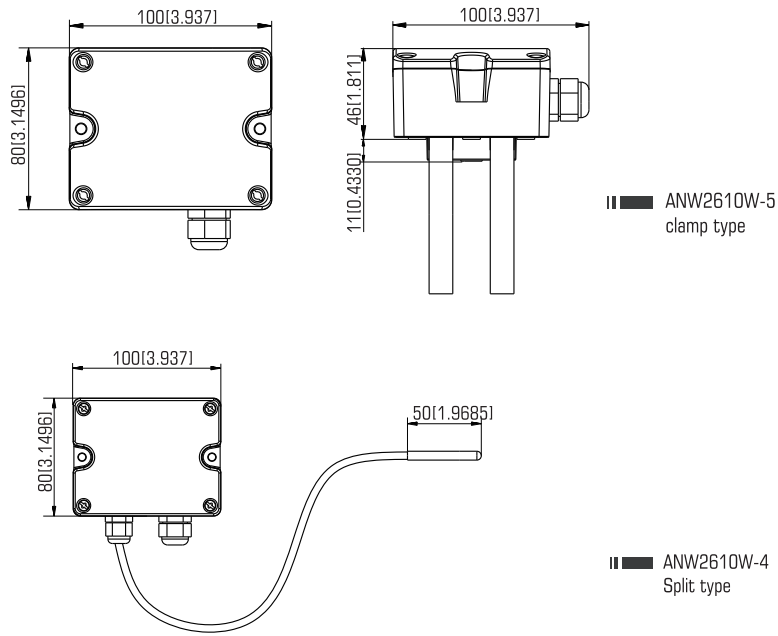
* RoHS-compliant products are assigned separate material numbers. Please ensure careful selection when placing an order.

Dimensions in mm [in]



DIMENSIONS & ORDER CODE SELECTION TABLE

TEMPERATURE TRANSMITTER ANW2610W SERIES



ANW2610W Temperature Transmitter

Name	Model	Temperature Output
ANW2610W	1	A4

1=Wall mounted type 2=Duct type 3=Water pipe type 4=Split type 5=Clamp type	V10=0...10VDC(3 cables) A4=4...20mA(2 cables) V5=0...5VDC(3 cables) 0=PT1000, ±0.2°C@0°C 1=PT100, ±0.2°C@0°C 2=NTC20K, ±0.3°C@25°C 6=NTC10K, ±0.3°C@25°C
---	--

Probe Length(ANW2610W2/3)	Temperature Range
2	1
0=65MM 1=100MM 2=200MM 3=150MM 8=Other(customized)	0=None 1=0...50°C 2=-20...60°C 8=Other(customized)

Note: The above rules are applicable for non-RoHS material selection. For RoHS compliant products, simply add the model number with (R) designation.