

SPECIFICATIONS

TEMPERATURE & HUMIDITY TRANSMITTER ANW2710H SERIES



Temperature & Humidity Transmitter ANW2710H Series

Benefits/features

- New industrial appearance quick installation design, suitable for rapid installation and deployment
- Imported sensors, high precision, fast response, good long-term stability
- Large LCD backlight, dual temperature and humidity display, flexible installation and output options
- Excellent anti-interference ability and protection function, IP65

Basic parameters

1)Relative humidity

Sensor	Digital
Range	0%...100%RH
Output	Output:RS485/Modbus,0...10VDC,4...20mA optional
Accuracy	±3%@ 20°C&20...80%RH
Respond speed	≤10s(25°C,Slow flow air)

2)Temperature

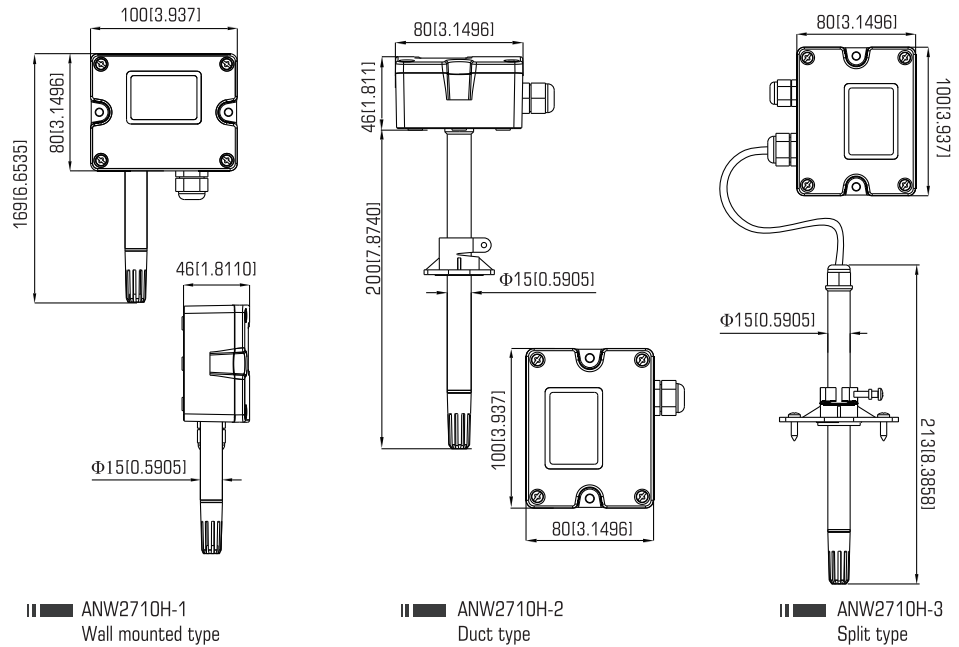
Sensor	Digital or thermal resistor, see selection table
Range	0...50°C,-20...60°C etc
Output	4...20mA,0...10VDC,RS485/Modbus optional
Thermal resistance	See Selection Table and Thermal Resistance Index Table
Accuracy	Digital sensor:±0.3°C@10...60°C Thermal resistance:typical±0.2...0.4°C@25°C, see selection table
Power supply	Voltage type/485 type15...35VDC/24VAC±20% Current type18.5...35VDC(RL=500Ω)/8.5...35VDC(RL=0Ω)
Output load	≤500Ω(current type),≥2KΩ(voltage type)
Display	Optional LCD display, with unit display and backlight (4...20mA without backlight)
Housing material	PC casing, PC probe, and polymer filter(Optional stainless steel probe and stainless steelsintered filter)
Work environment	-20...60°C,5%...95%RH(Non condensing)
IP grade	IP65

* RoHS compliant products have separate material numbers. Please pay attention to your selection when placing an order.

DIMENSIONS & ORDER CODE SELECTION TABLE

TEMPERATURE & HUMIDITY TRANSMITTER ANW2710H SERIES

Dimensions in mm [in]



ANW2710H Temperature & Humidity Transmitter

Name	Model	Accuracy Range	Humidity Output
ANW2710H	1	2	V10
	↓	↓	↓
	1=Wall mounted type 2=Duct type 3=Split type	2=±2%RH(0.3°C) 3=±3%RH(0.3°C)	V10=0...10VDC(3 wire) A4=4...20mA(2 wire) RS=RS485/Modbus
Temperature Output		Temperature Range	Display
2		2	1
↓		↓	↓
V10=0...10VDC(three cables) A4=4...20mA(two cables) RS=RS485/Modbus 0=PT1000, ±0.2°C@0°C 1=PT100, ±0.2°C@0°C 2=NTC20K, ±0.4°C@25°C 6=NTC10K, ±0.4°C@25°C		0=None 1=0...50°C 2=-20...60°C 8=Others(customized)	0=None 1=LCD

Note: The above rules are applicable for non-RoHS material selection. For RoHS compliant products, simply add the model number with (R) designation.