

SPECIFICATIONS

PRESSURE SWITCH ANW9715 SERIES



Pressure Switch ANW9715 Series

Benefits/features

- Adjust pressure in the air compressor tank
- Choose to have a relief valve function to avoid compressor overload starting
- The four ports connector facilitates the installation of components such as safety valves
- The attached handle can cut off the compressor power manually

Basic information

Pressure range	95...125-200psi
Contact version	SPST
Process connection	Single port/Female thread, Four ports/Female thread, Single port/male thread, Double female and male thread NPT1/4, R1/4, G1/4 (can be customized)

Tests / Admissions CSA (Comply with security and electromagnetic compatibility)

*RoHS-compliant products are assigned separate material numbers. Please ensure careful selection when placing an order.

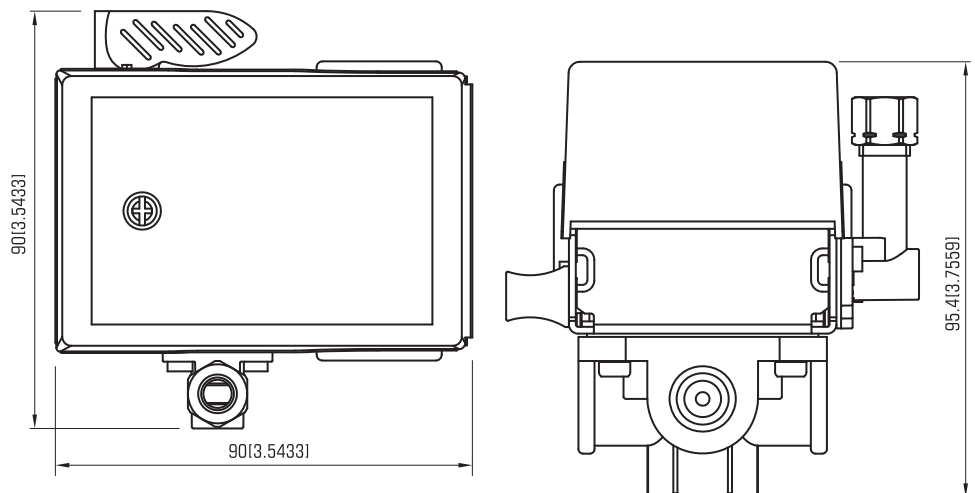
Electrical overview

Switching load	26A at 120VAC, 50HZ
	20A at 240VAC, 60HZ
Dielectric strength	No breakdown at 2500V for 1 minute

Operating conditions

Medium	Air, non-flammable, non-hazardous and non-corrosive gas
Temperature	Ambient: -20...+80°C [-4...176°F]
Unloading valve connection	Φ6.0 mm, Φ6.4 mm, Φ6.5 mm, can be customized
Protection standard	IP20

Dimensions in mm [in]



ORDER CODE SELECTION TABLE

PRESSURE SWITCH ANW9715 SERIES

Pressure Switch ANW9715 Series

Name	Model	Unloading Valve	Handle	Connector	Interface Type
ANW9715	125	A	R	K	4I
	125 135 150 175 200	N=None A=Φ6.0 mm B=Φ6.4 mm C=Φ6.5 mm	N=None R=Red handle B=Black handle	K=NPT1/4 L=R1/4 M=G1/4	1I=Single port/Female thread 4I=Four ports/Female thread 1O=Single port/Male thread 2IO=Double female and male thread

Form Of Unloading Valve	Direction Of Unloading Valve	Threaded Connection
N	D	W
N=None S=Short L=Long	R=45°(upper right) U=90°(upwards) L=180°(left) D=270°(down)	M=Metal threaded connection W=Wire terminal cover

Note: The above rules are applicable for non-RoHS material selection. For RoHS compliant products, simply add the model number with (R) designation.

ANW9715 Pressure Switch	Model	Pressure Range	Differential Pressure Range	Maximum Working
	125	95...125	25...65	200
	135	100...135		
	150	120...150		
	175	145...175		
	200	150...200		

Unit:psi
1bar=100kPa=0.1MPa= 14.5psi