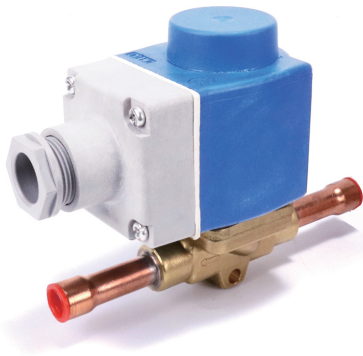


SPECIFICATIONS

SOLENOID VALVE ANWSV-D



Solenoid Valve ANWSV-D

Benefits/features

- Divided into direct-acting and pilot-operated types, used for refrigeration and air conditioning systems, heat pumps, and other refrigerant on-off controls
- The coil voltage can be provided in multiple options, with low power consumption, high reliability, and an overall sealed design achieving IP65 protection level
- This solenoid valve has a high maximum working pressure differential, can operate stably under voltage fluctuations, and has a long service life

Basic information

Process connection	1/4", 3/8", 1/2", 5/8", 3/4", 7/8"
IP grade	IP65

Electrical overview

Allowable voltage fluctuation of coil	+10%...-15%
Rated voltage of coil	AC 220V...230V, 50/60Hz
Coil standard voltage	AC220V, AC110V, DC24V, DC12V (Contact Anvoll for other customized voltages)

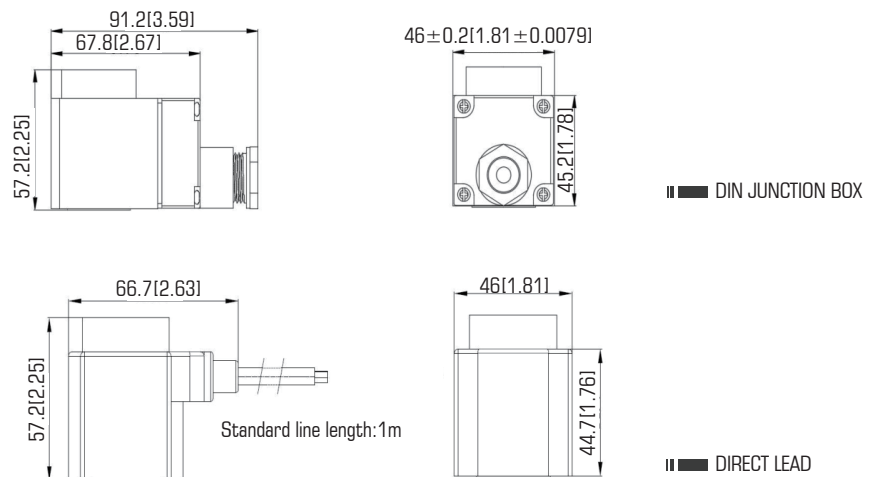
Operating conditions

Medium	R22, R134a, R407C, R404A, R410A, R507C and other refrigerants
Temperature	Ambient Temperature and Relative Humidity: -40...+65°C [-40...+149°F], ≤95%RH Medium: -30...+105°C [-22...+221°F]

Installation arrangement

Installation torque	2N*M
Mounting position	Suction- exhaust port and liquid pipe port
Recommendation (Factory set)	Standard DIN junction box or direct lead

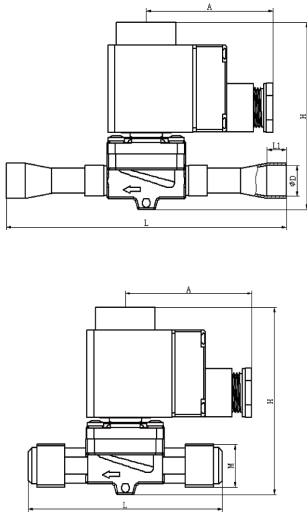
Dimensions in mm [in]



ORDER CODE SELECTION TABLE

SOLENOID VALVE ANWSV-D

Solenoid Valve ANWSV-D



ANWSV-D	Model	Pipe size (inch)	Connection	Kv (m³/h)	Dimension(mm)					
					ΦD	M (UNF)	L1	L	A	H
	2L	1/4"	SAE	0.15	--	7/16-20	--	75	75	87
	2H		ODF		6.5	--	7	116	75	87
	3LS	3/8"	SAE	0.26	--	5/8-18	--	75	75	87
	3HS		ODF		10.1	--	8	117	75	87
	3LB		SAE	--	5/8-18	--	82	75	92	
	3HB		ODF	10.1	--	8	122	75	92	
	4LS	1/2"	SAE	1.0	--	3/4-16	--	88	75	92
	4HS		ODF		12.8	--	10	127	75	92
	4LB		SAE	--	3/4-16	--	103	75	95	
	4HB		ODF	12.8	--	10	127	75	95	
	5LS	5/8"	SAE	2.2	--	7/8-14	--	110	75	95
	5HS		ODF		16.1	--	12	160	75	95
	5LB		SAE	--	7/8-14	--	131	75	105	
	5HB		ODF	16.1	--	12	176	75	105	
	6L	3/4"	SAE	2.6	--	1-1/16-14	--	104	75	105
	6H		ODF		19.2	--	16	158	75	105
	7HS	7/8"	ODF	3.3	22.3	--	17	176	75	105
	7HB		ODF	6.0	22.3	--	17	191	75	110

Note:

The maximum working pressure of this series is 4.5 MPa.

Model naming: ANWSV-D-xyz, where x represents the connection size, y represents the connection type, and z represents the valve body size.

x options: 2 (1/4"), 3 (3/8"), 4 (1/2"), 5 (5/8"), 6 (3/4"), 7 (7/8")

y options: L = Threaded SAE, H = Welding ODF

z options: B = Large valve body, S = Small valve body, None = No distinction in valve body size.

Coils technical data

Model	Voltage(V)	Fregency (HZ)	Power Consumption (W)	Insulation Grade	Voltage Fluctuation	IP Grade	Coil Type
D-XQ01	DC24	--	10/9W	F	+10%...-15%	IP65	DIN junction box
D-XQ02	AC110	50/60					
D-XQ03	AC220						
D-XQ04	DC24	--					Direct lead (standard 1meter length)
D-XQ05	AC110	50/60					
D-XQ06	AC220						