

SPECIFICATIONS

STANDARD ROTARY ACTUATOR ANWZ



Standard Rotary Actuator ANWZ

Benefits/features

- Dc motor/brushless motor is used to provide the power part of the product
- Available 2Nm,4Nm, 6Nm, 8Nm, 16Nm, 24Nm, 32Nm, 40Nm torque
- Can be directly applied to wind system, water system Angle stroke control
- The product has long life, low noise, and can realize multi-function intelligent control

Basic information

Torque	2Nm	4Nm	6Nm	8Nm	16Nm	32Nm	48Nm
Suitable damper size	0.3m ²	0.5m ²	0.8m ²	1.2m ²	2.5m ²	3.7m ²	5.2m ²
Rotating direction	Can be selected by DIP switch						
Manual operation	Actuator can be manually adjusted after pressing the gear set disengagement button						
Nominal/Maximum corner	90°/95°						
Noise level	46dBA (within 1 meter)						
Position indication	Mechanical indication						

Electrical overview

Rated voltage	AC24V 50/60Hz DC24V /AC100...240V 50/60Hz
Rated voltage range	AC/DC19.2...28.8V /AC85...265V
Power consumption	Operating state 4.5w,Standby state 0.5W
Cable size	0.5mm ²
Terminal specification	Max. 2mm ²

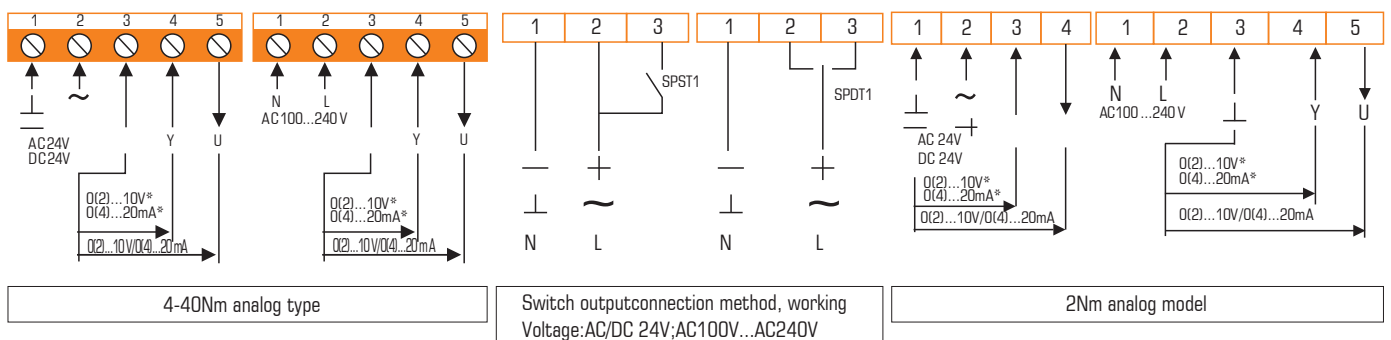
Operating conditions

Electrical Grade	III(Safelow voltage) II(Double Insulation)
Degree of Protection	IP54
Temperature	Working:-20...+50 °C [-4...+122 °F] Storage:-20...+50 °C [-4...+122 °F]
Temperature test	95%RH,No Condensation/EN 60730-1

Dimension drawing

Length of Shaft	>50mm
Weight	<1.3kg

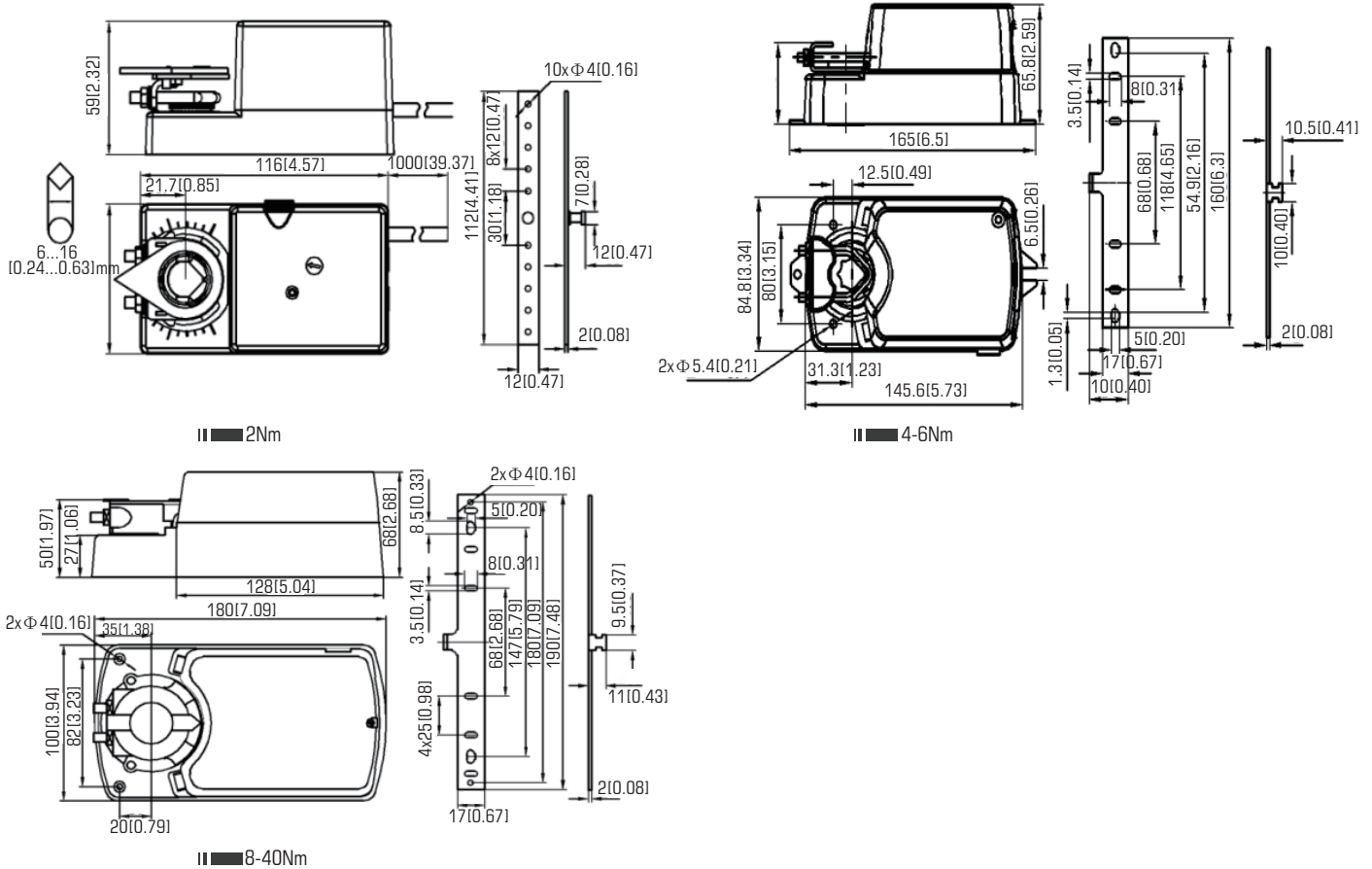
Wiring diagram



DIMENSIONS & ORDER CODE SELECTION TABLE

SPRING RESET DAMPER ACTUATOR ANWZ-T

Dimensions in mm [in]



Standard Rotary Actuator ANWZ

ANWZ	Model	Output Torque	Power Supply	Running Time	Control Signal	Optional F auxiliary switch
	0224/230-K/KF	2N	24V/230V	20-25s	ON-OFF control	One set of auxiliary switches
	0224/230-M/MF	2N	24V/230V	20-25s	0(2)-10V/0(4)-20mA	One set of auxiliary switches
	0424/230-K/KF	4N	24V/230V	25-30s	ON-OFF control	Two sets of auxiliary switches
	0424/230-M/MF	4N	24V/230V	25-30s	0(2)-10V/0(4)-20mA	Two sets of auxiliary switches
	0624/230-K/KF	6N	24V/230V	25-30s	ON-OFF control	Two sets of auxiliary switches
	0624/230-M/MF	6N	24V/230V	25-30s	0(2)-10V/0(4)-20mA	Two sets of auxiliary switches
	0824/230-K/KF	8N	24V/230V	30-45s	ON-OFF control	Two sets of auxiliary switches
	0824/230-M/MF	8N	24V/230V	30-45s	0(2)-10V/0(4)-20mA	Two sets of auxiliary switches
	1624/230-K/KF	16N	24V/230V	30-45s	ON-OFF control	Two sets of auxiliary switches
	1624/230-M/MF	16N	24V/230V	30-45s	0(2)-10V/0(4)-20mA	Two sets of auxiliary switches
	2424/230-K/KF	24N	24V/230V	120-160s	ON-OFF control	Two sets of auxiliary switches
	2424/230-M/MF	24N	24V/230V	120-160s	0(2)-10V/0(4)-20mA	Two sets of auxiliary switches
	3224/230-K/KF	32N	24V/230V	160-200s	ON-OFF control	Two sets of auxiliary switches
	3224/230-M/MF	32N	24V/230V	160-200s	0(2)-10V/0(4)-20mA	Two sets of auxiliary switches
	4024/230-K/KF	40N	24V/230V	200-220s	ON-OFF control	Two sets of auxiliary switches
	4024/230-M/MF	40N	24V/230V	200-220s	0(2)-10V/0(4)-20mA	Two sets of auxiliary switches